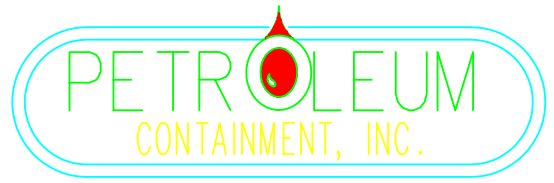
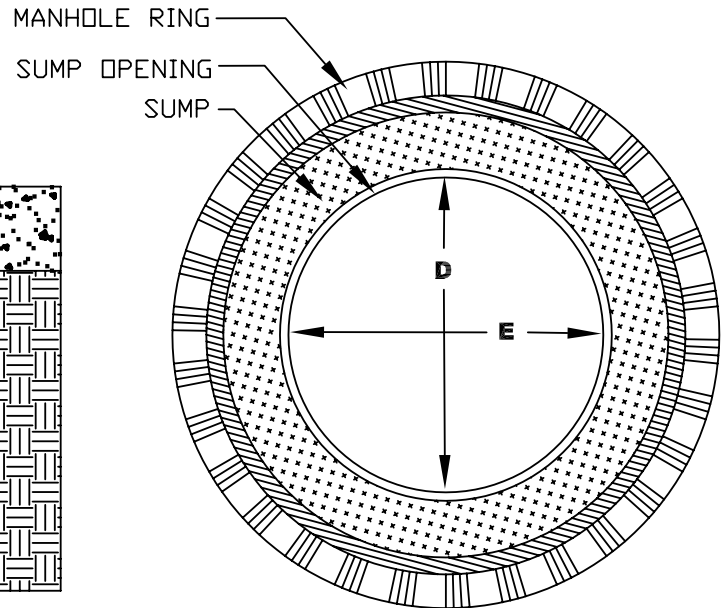
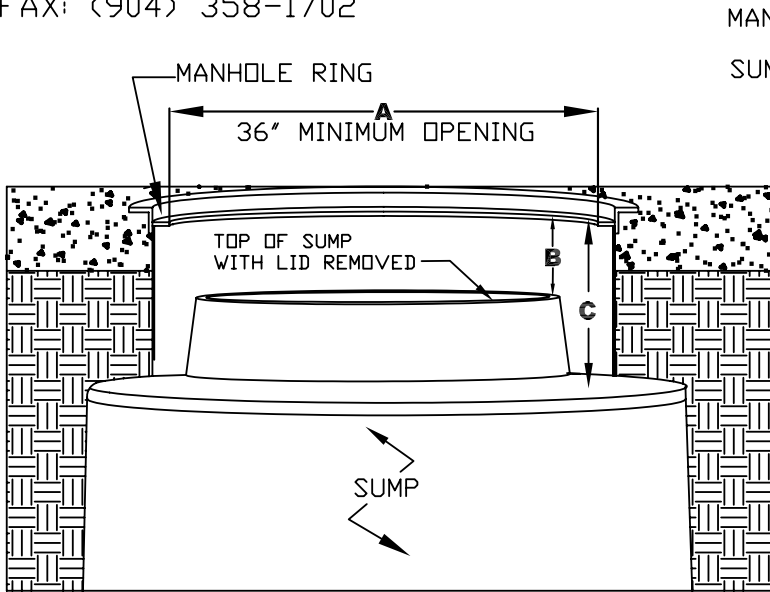


# TWIST-LOK RETROFIT KIT PRE-INSTALLATION SURVEY



FAX COMPLETED SURVEY ALONG WITH PURCHASE ORDER TO:  
 PETROLEUM CONTAINMENT, INC.  
 FAX: (904) 358-1702



Dim	Description	Measurement
<b>A</b>	MANHOLE OPENING I.D.	
<b>B</b>	BOTTOM OF MANHOLE COVER TO TOP OF SUMP RISER	
<b>C</b>	BOTTOM OF MANHOLE COVER TO TOP OF SUMP CANOPY	
<b>D</b>	I.D. OF SUMP OPENING (POSITION 1)	
<b>E</b>	I.D. OF SUMP OPENING (POSITION 2)	

COMPANY	
COMPANY ADDRESS	
COMPANY CITY, STATE, ZIP	
COMPANY PHONE	
SURVEY BY (PRINT NAME)	
STORE NAME AND No.	
SUMP IDENTIFICATION	
SUMP TYPE (CIRCLE ONE)	FIBERGLASS      PLASTIC
SIGNATURE	DATE