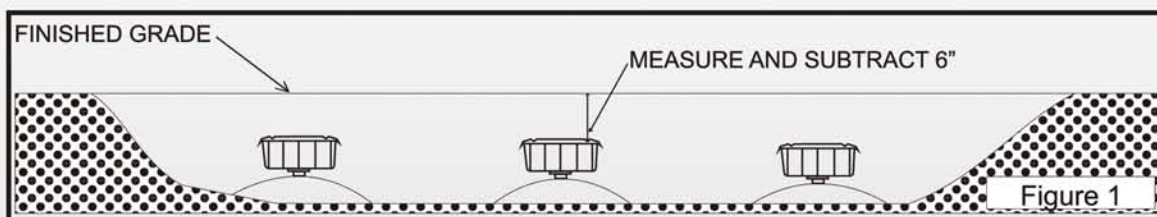


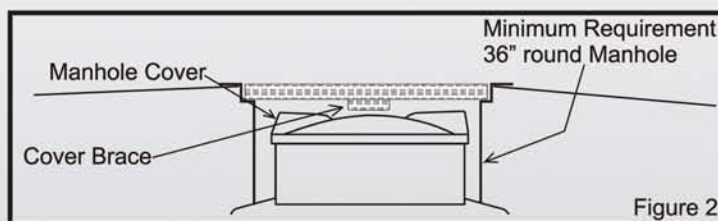
PETROLEUM CONTAINMENT, INC. A.R.T. INSTALLATION INSTRUCTIONS

After the piping sump base has been installed and all product piping and electrical runs are completed, the following steps can easily be accomplished to provide the exact burial depth requirements.

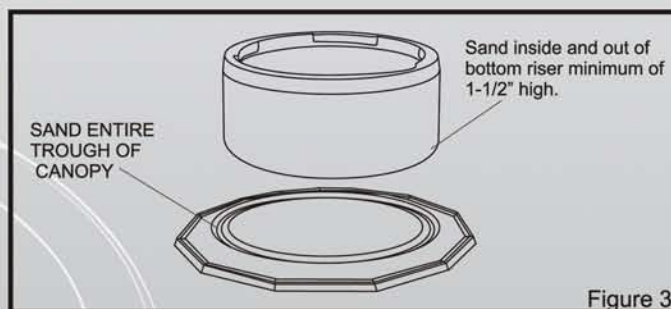
- 1.) Determine the exact final grade over the tanks using either a level or a transit.
- 2.) Pull a string line across excavation and measure from the string to the bottom of the trough located within the sumps canopy. (See Figure 1)
- 3.) Take your measurement, subtract 6", and this will be the measurement to cut the Adjustable Riser.



- 4.) Remember, if manhole cover has a reinforcement brace do not forget to subtract the height of the brace from the height of the Adjustable Riser. (See Figure 2)



- 5.) Measuring from top to bottom of Adjustable Riser at the appropriate height, make a mark for cutting. You are now ready to cut the riser using a Jig Saw or a Reciprocating Saw. Do not cut Adjustable Riser less than 3" in height.
- 6.) Using 40 Grit or coarser sandpaper, or a grinding disc, thoroughly sand the bottom 1-1/2" of the riser's interior and exterior surfaces and the entire trough of the sump canopy. Clean entire area to be bonded of both riser and canopy, with Acetone or a good grade of paint thinner. (See Figure 3)



- 7.) Before mixing and pouring epoxy, dry fit all parts to check for proper height.
- 8.) Mix the pre-measured epoxy kit # E132AR per its labeled instructions. Failure to follow instructions fully will result in failure of epoxy.
- 9.) Pour entire contents of the epoxy kit into the trough of the canopy. **Note:** If sump base is not level, move canopy to a level surface before pouring. (Epoxy is self-leveling). Position the adjustable riser into the epoxy filled trough and check for level. Epoxy will cure in about 20 to 30 minutes from time of mix.

If additional technical information is needed please call **(904)358-1700**